

ACCESS B5

Hydraulic pool lift that facilitates access for people with reduced mobility.

Robust, safe, and easy to install, it adapts to any in-ground pool and promotes user autonomy.

TECHNICAL DATA

Lifting capacity	150 Kg
Turning angle	180 °
Turning radius	750 mm
Travel distance	1050 mm
Required pressure:	3,5 a 5 bars
Water capacity in cylinder	10 L
Anchor arm	250 to 1200 mm
Minimum depth in installation area	850 mm
Structure material	Stainless Steel 316L
Seat material	Polypropylene
Descent / ascent time (without load)	16 / 80 s
Descent / ascent time load (85 kg)	20 / 35 s
Weight	26 kg

ANCHORING ARM OPTIONS

S 250 / 300 | **M** 500 / 550 | **L** 750 / 800 mm

XL Customisable, up to 1200 mm

* The final dimensions result from selecting four of the six fixing holes.

PACKAGING

BOX 1

Dimensions 1616 x 400 x 161 mm

Contents: lift and anchor

BOX 2

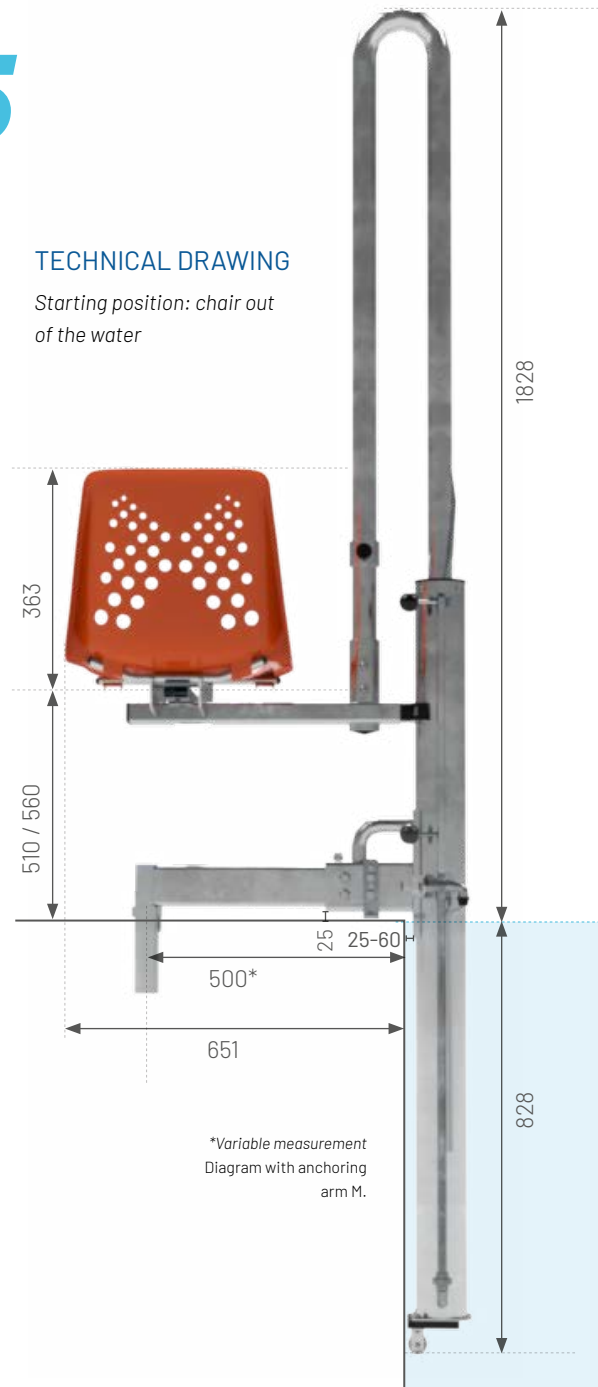
Dimensions 700 x 400 x 530 mm

Contents: seat, armrest, accessories, screws and bolts, and user manual

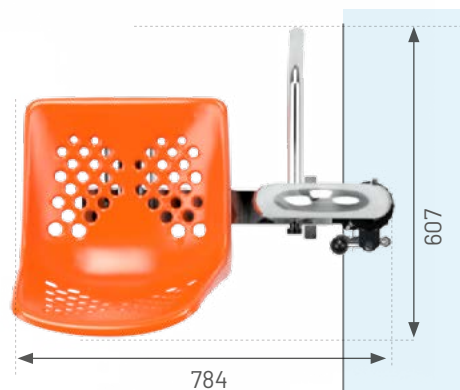
*Palletised shipping options available upon request.

TECHNICAL DRAWING

Starting position: chair out of the water



TOP VIEW



ACCESSB5



For in-ground pools. For liner or polyester pools, a protection accessory (flexible pad) is required.



In the installation area, **a minimum of 1 m free of obstacles** is required, both inside and outside the pool, to allow the chair to rotate and ensure proper user usability.



A minimum depth of 85 cm is required in the lift installation area. When using the footrest, greater depth is needed.



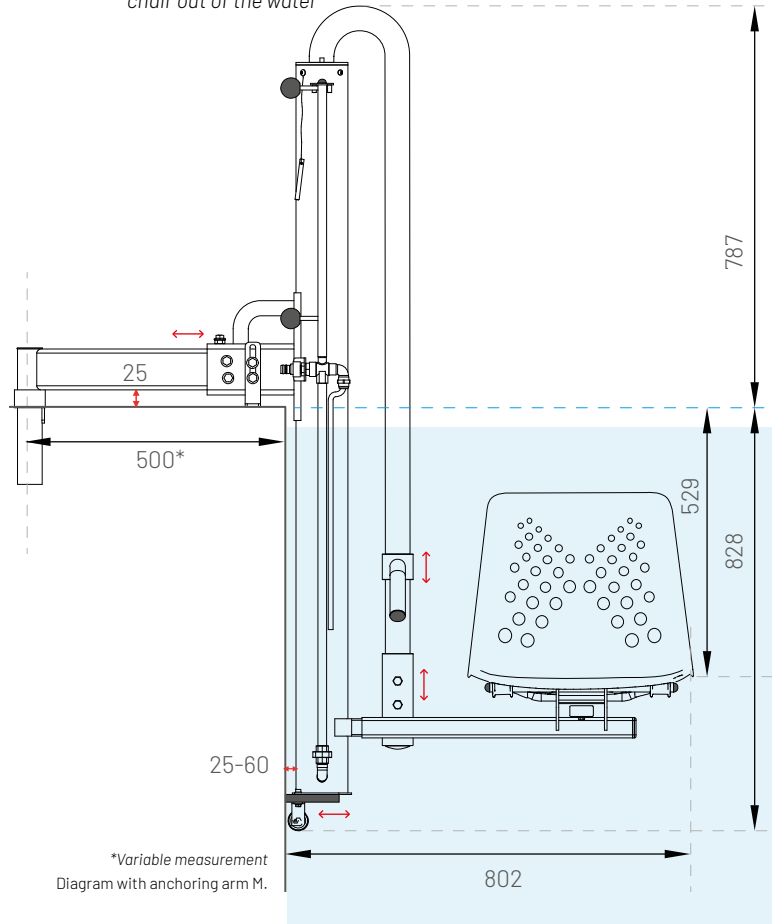
The chair height, anchoring arm, and inner wall support (pad) are adjustable.

** If the pool edge profile protrudes more than 20 mm or if the distance between the water level and the coping exceeds 15 cm, please consult our technicians:*

(+34) 93 595 18 36

TECHNICAL DRAWING

Starting position:
chair out of the water

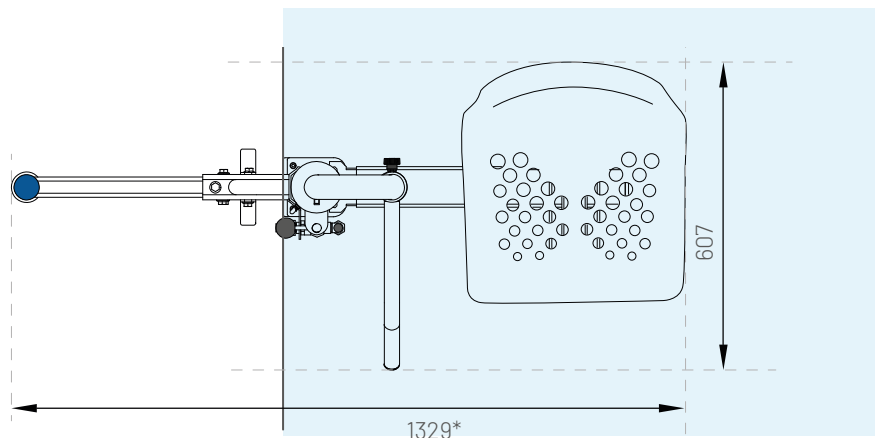


CE DECLARATION OF CONFORMITY

The machine complies with the provisions set out in Directive 2006/42/EC of the European Parliament and of the Council of 17 May 2006 on machinery.

- UNE EN ISO 12100:2012
- UNE EN ISO 13849-1:2016
- UNE EN ISO 4413:2011
- UNE EN ISO 14118:2018
- UNE EN ISO 61310-1:2008
- RD 1644:2008
- UNE EN ISO 10535:2022
- UNE EN ISO 21856:2023

TOP VIEW



ACCESSB5

INSTALLATION

Portable and easily removable installation.

The lift is placed on an embedded anchoring base into the pavement, into which the anchor arm fits.

This system allows the equipment to be removed when not needed or shared between several pools by installing multiple embedded anchors.

The anchor arm is available in different lengths to adapt to all types of pool profiles.

ANCHOR ARM



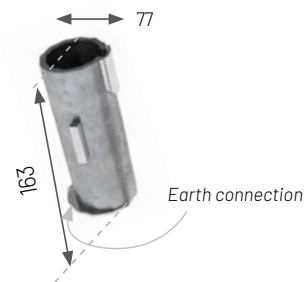
Discover in the guide which anchoring arm is ideal for your pool.

ANCHORING ARM OPTIONS

S	250 / 300 mm
M	500 / 550 mm
L	750 / 800 mm
XL	Customisable up to 1200 mm

The final measurements result from selecting four of the six fixing holes.

EMBEDDED ANCHOR BASE



OPTIONAL ACCESSORIES

Designed to improve user support and safety, as well as to enhance equipment adaptability and control.



FOOTREST

Allows the user to place their feet for increased safety. Easily added to the structure.

Requires a pool depth of 95 cm.



2P BELT

Improves user safety. Easily added to the structure.



LINER SUPPORT BLOCK

Flexible and larger support designed to protect the walls of liner or polyester pools.



PRESSURE GAUGE

Pressure gauge integrated into the lift for continuous monitoring of the inlet pressure.